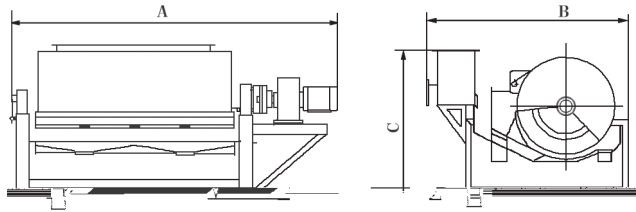


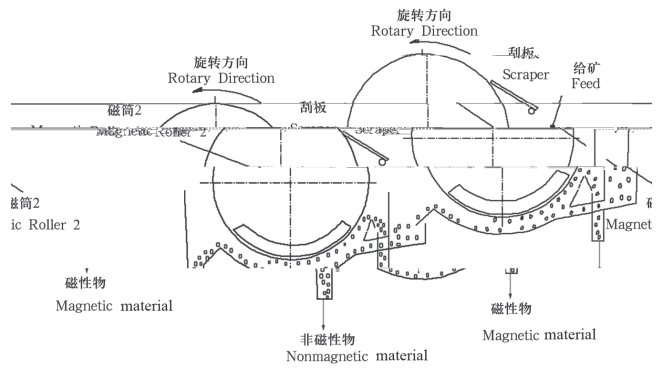
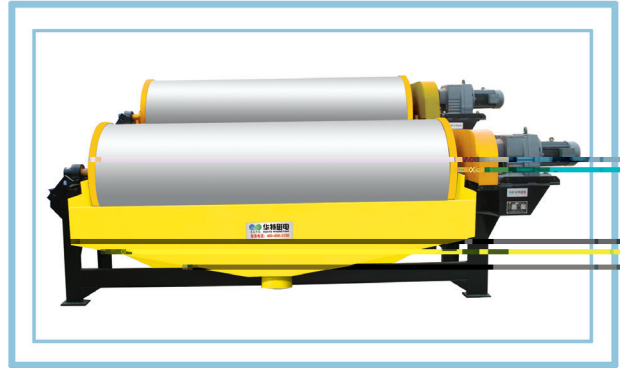
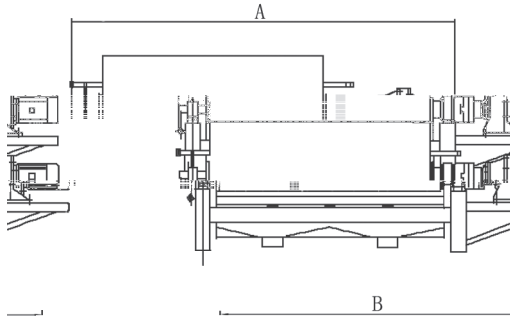
- Drum Length(dm)
- Drum Diameter(dm)
- Countercurrent Tank
- Drum Type
- Magnetic Separator
- Magnetic System with Rare Earth Magnetic steel
- Double- Drum Type



Appearance Size

General Technical Parameters:





Appearance Size

Work Principle

