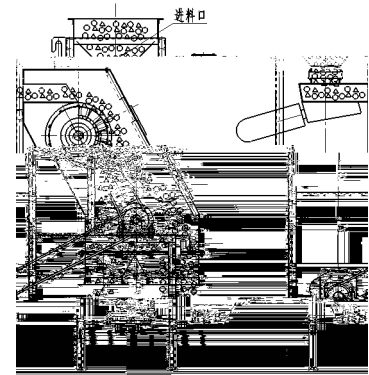
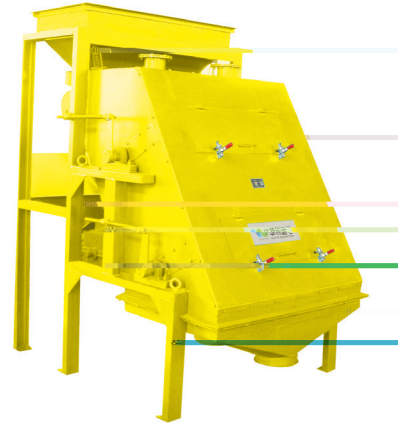


CXJ



(1000 10000Gs)

	mm	mm	mm	Gs		r/ min	T/h	mm	kw
CXJ- 40-	550× 460× 660	400	300	1000- 10000	1	17- 82	0.6	5	0.55
CXJ- 60-	830× 710× 930	600	400		1		1.5	5	0.75
CXJ- 60-	1070× 925× 1240	600	320		2		2	5	1.5
CXJ- 60-	1150× 1070× 1700	600	406		3		2.5	6	1.5
CXJ- 80-	1180× 820× 1040	800	406		1		2	8	0.75
CXJ- 80-	1420× 1220× 1570	800	406		2		2.5	8	1.5
CXJ- 80-	1770× 1260× 1570	800	406		3		3	8	2.2
CXJ- 100-	1300× 1020× 1240	1000	508		1		2.5	10	3
CXJ- 100-	1620× 1420× 1770	1000	508		2		4	10	4
CXJ- 100-	1970× 1460× 2309	1000	508		3		5.5	10	5.5
CXJ - 120-	2006× 1100× 1450	1200	600	1000- 10000	1	17- 82	5	10	3
CXJ - 120-	2274× 1700× 2250	1200	600		2		6	10	5.5
CXJ - 120-	2880× 1700× 2950	1200	600		3		8	10	3× 3
CXJ - 140-	2206× 1100× 1450	1400	608		1		6	10	4
CXJ - 140-	2274× 2000× 2250	1400	608		2		8	10	7.5
CXJ - 140-	2800× 2000× 2850	1400	608		3		10	10	4× 3
CXJ - 160-	1960× 1274× 1650	1600	800		1		10	12	5.5
CXJ - 160-	2674× 2160× 2850	1600	800		2		12	12	5.5× 2
CXJ - 160-	3120× 2160× 3700	1600	800		3		15	15	5.5× 3

()